



ALL NEW
ZR-V
e:HEV

HYBRID
UNLEASHED



2L SPORTS
HYBRID

HYBRID UNLEASHED

The Honda ZR-V, a self-charging strong hybrid SUV built to deliver performance that feels immediate, seamless and unleashed in every touch. Powered by Honda's advanced e:HEV technology, it combines instant torque, refined efficiency and intuitive response in one exhilarating drive.



PERFORMANCE

A Hybrid with a Sportier Soul

From a near-silent start to powerful hybrid acceleration, the Honda ZR-V responds with precision at every moment. Its advanced 2L e:HEV system delivers seamless transitions, instant response and performance engineered to feel effortlessly dynamic.





2L DIRECT INJECTION ENGINE

The dual-motor e:HEV system pairs with a 2.0L direct-injection Atkinson-cycle engine to deliver instant torque with outstanding efficiency. The intelligent ECU synchronizes the engine's acoustics with acceleration curves for a driver-centric performance.

2L SPORTS HYBRID

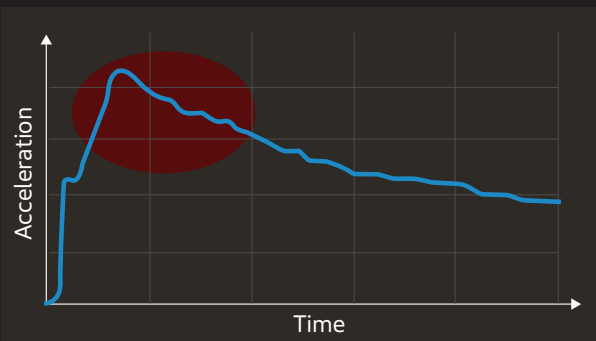
0-100 km/h in 7.9 SEC

TORQUE 315 Nm

MILEAGE* 22.80 km/L

*As certified under Rule 115 of the CMVR

DIRECT ACCELERATOR

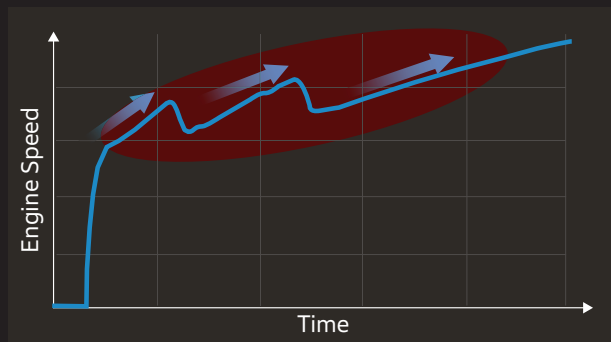


In response to accelerator input, the engine quickly starts to generate electricity, resulting in instant responsive acceleration.



DRIVE MODE SELECTOR (ECON/NORMAL/SPORT)

LINEAR SHIFT CONTROL



The engine speed and motor torque are precisely controlled according to driving conditions, creating a more intuitive acceleration feel.

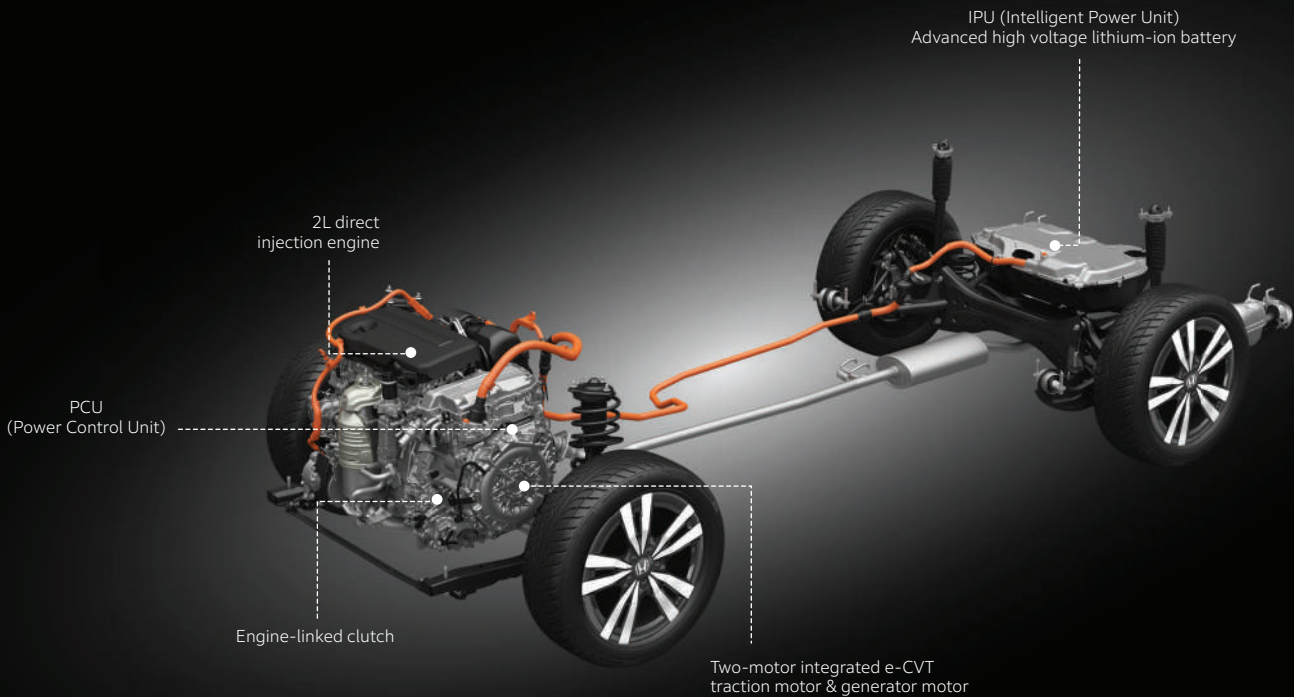


METALLIC DECELERATION SELECTOR



CUSTOMISABLE 25.9 cm (10.2 inches) HD DIGITAL TFT METER

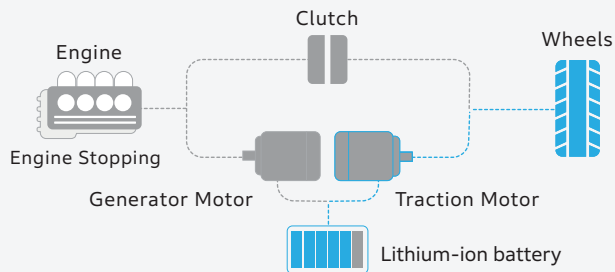
SPORTS HEV



Automatically switches between 3 modes, combining the best of both motors and engine

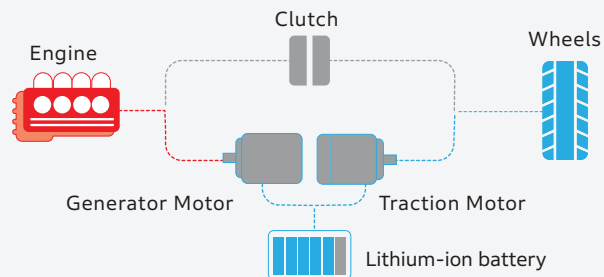
EV DRIVE

For a smooth start, the vehicle runs exclusively on the motor using battery power; since the engine remains off, you can enjoy an electric driving experience without using gasoline.



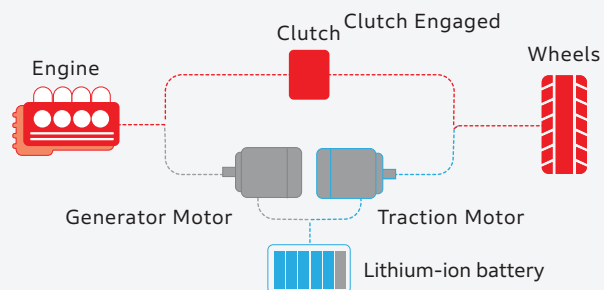
HYBRID DRIVE

While the driving motor is powered by the engine, it also utilizes battery power during acceleration to provide a more powerful driving experience.



ENGINE DRIVE

During high-speed cruising, which is the engine's specialty, the engine and wheels are directly connected to drive the vehicle efficiently while keeping fuel consumption down.



EXTERIOR

A Distinct Presence

Every line of the Honda ZR-V is crafted with purpose, from its sleek grille and sharp LED lighting to its sporty stance and aerodynamic shape. Featuring a bold presence and refined details, it is designed to leave a lasting impression from every angle.





COMMANDING FRONT PRESENCE



ATHLETIC REAR PRESENCE



LED HEADLAMPS WITH INTEGRATED
LED DRLs & SEQUENTIAL TURN SIGNALS



SLEEK LED TAIL LAMPS



VERTICAL
FRONT GRILLE



SPORTY DIAMOND CUT
ALLOY WHEELS R18

INTERIOR

Elegance You Can Feel

Thoughtfully crafted with refined textures, premium finishes and meticulous detailing, the Honda ZR-V cabin delivers a distinctly premium experience. Luxury here is felt on every surface, in every touch and on every journey.





SPORTY BLACK INTERIORS



HIGH-DECK CENTRE CONSOLE WITH
ELECTRONIC BUTTON SELECTOR



LEATHER UPHOLSTERY WITH
PREMIUM STITCH ACCENTS



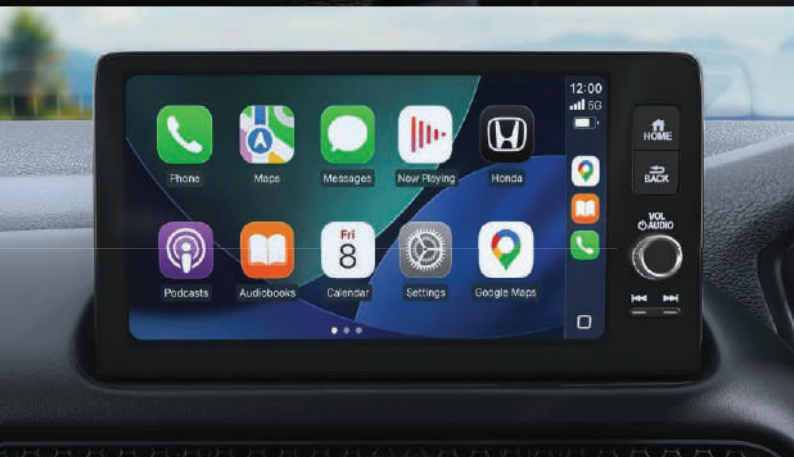
CONTOURED ARMRESTS &
DIFFUSED AMBIENT LIGHTS



BOSE® PREMIUM SOUND SYSTEM (12-SPEAKERS)



FULLY AUTOMATIC DUAL-ZONE CLIMATE CONTROL



SMARTPHONE CONNECTIVITY



WIRELESS CHARGER

SAFETY

Intelligence Built on Trust

Intelligent ADAS tech, a high-strength body structure, and a comprehensive airbag system together make the Honda ZR-V quietly handle the unexpected. So that you can immerse yourself in the journey, without a worry in the world.



Honda SENSING

INTELLIGENT ADAS TECHNOLOGY



**COLLISION MITIGATION
BRAKING SYSTEM (CMBS)**



**ADAPTIVE CRUISE CONTROL
WITH LOW SPEED FOLLOW**



**LANE KEEPING
ASSIST SYSTEM (LKAS)**



**ROAD DEPARTURE
MITIGATION SYSTEM**



AUTO HIGH-BEAM



**LEAD CAR DEPARTURE
NOTIFICATION SYSTEM**

We at Honda strive to build a collision-free society.

By equipping the ZR-V with Honda SENSING - an advanced suite of driver-assistive technologies, we ensure that peace of mind extends to everyone sharing the road.

This is safety for everyone.





COLLISION MITIGATION BRAKING SYSTEM (CMBS)

Provides audio & visual warning alerts and applies brakes when there is a risk of collision.



ADAPTIVE CRUISE CONTROL WITH LOW SPEED FOLLOW

Accelerates and brakes to keep you at a safe distance from other cars while cruising.



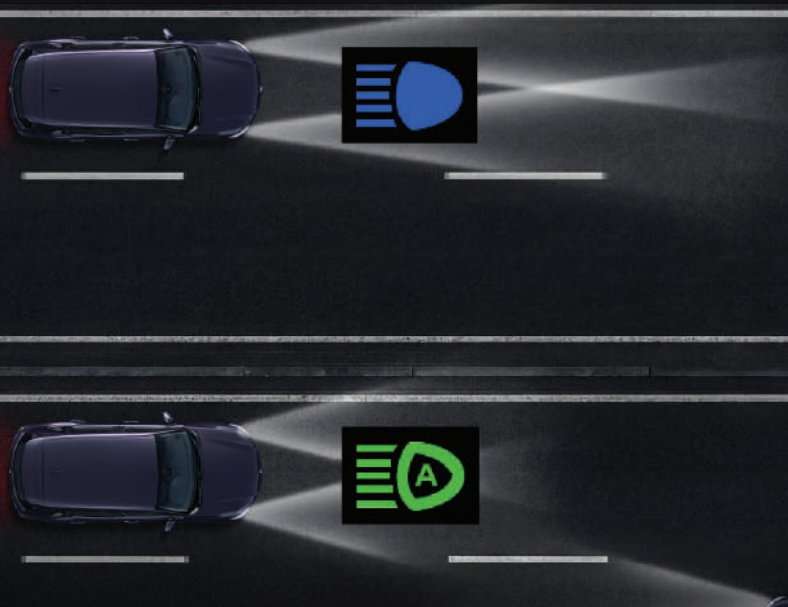
LANE KEEPING ASSIST SYSTEM (LKAS)

Steers the wheel to keep you in the middle of the lane while cruising along the highway.



ROAD DEPARTURE MITIGATION SYSTEM

When the car seems to deviate from road boundaries, it gives audio-visual alerts with steering wheel support.



AUTO HIGH-BEAM

Improves visibility by automatically switching between low and high beam.

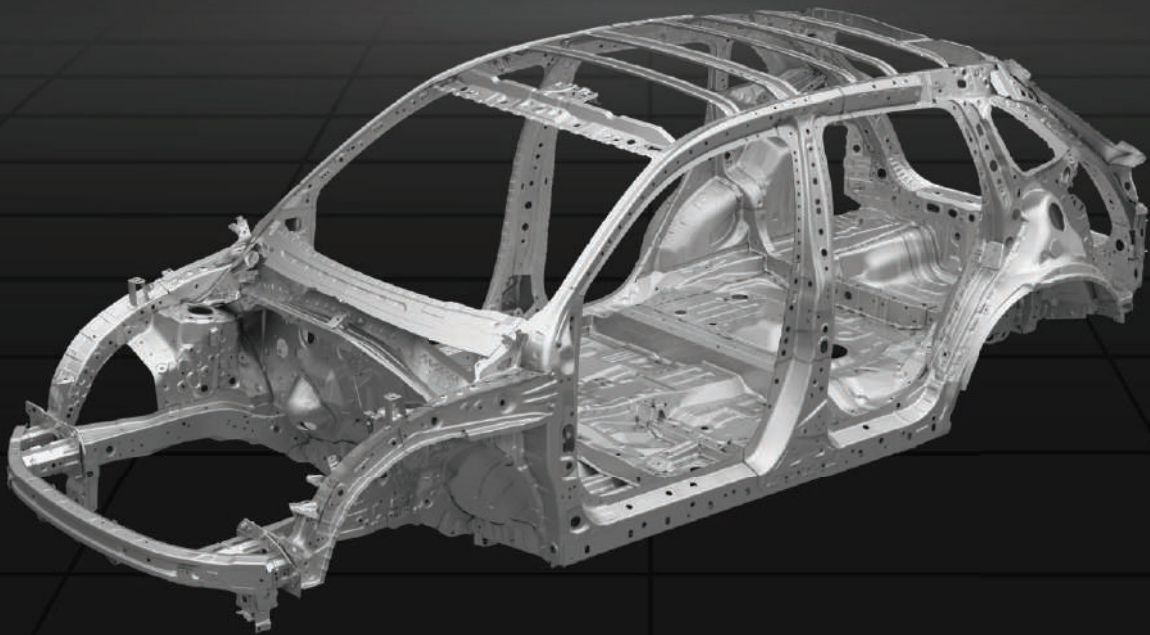


LEAD CAR DEPARTURE NOTIFICATION SYSTEM

Notifies you when the car ahead departs.



8 AIRBAG SYSTEM



ACE™ BODY STRUCTURE



360° SURROUND
VISION CAMERA
(Multi-view Camera System with Guidelines)



HILL DESCENT CONTROL

COMFORT

Pure, Effortless Drive

Out-of-the-box technology delivers out-of-this-world comfort in the new Honda ZR-V. Clever spaces in the quiet and luxurious cabin make daily commutes and long getaways feel nothing less than phenomenal.





MAX CARGO SPACE UPTO 1313 L
WITH 60:40 SPLIT-FOLDING SEATS



COMFORTABLE REAR-CABIN SPACE



POWERED SEATS WITH
MEMORY FUNCTION



TYPE-C PORT WITH
SMART UNDER TRAY

ACCESSORIES

Stay Spotless, Mile After Mile

The Honda ZR-V is built to shine, and Honda Genuine Accessories ensure it stays that way. From floor mats to precision mud guards, every detail protects and maintains a pristine look, mile after mile.





BODY COVER



FLOOR CARPET MATS



3D BOOT MAT



MUD GUARDS



KEY CHAIN

COLOUR OF YOUR JOURNEY

Choose from a range of contemporary colours designed to complement the dynamic styling of the Honda ZR-V.

TWILIGHT MIST BLACK PEARL

A stylish black, reminiscent of twilight.



CRYSTAL BLACK PEARL

A nuanced black, suggestive of shimmering jet.



METEOROID GRAY METALLIC

A powerful gray, inspired by a fearless meteoroid.



PLATINUM WHITE PEARL

A brilliant white, indicative of elegant depth.



SPECIFICATIONS

ZR-V e:HEV (Self-Charging Strong Hybrid)		
Engine	Type	Direct Injection Water-Cooled Inline 4 Cylinder Atkinson cycle DOHC with Dual VTC
	Displacement (cm ³)	1 993
	No. of Valves	16
	Max Power (kW [PS] @ rpm)	105 (143) @ 5 600 - 6 400
	Max Torque (Nm @ rpm)	189 @ 4 500
	Fuel Efficiency* (km/L)	22.80
	Fuel Type	Compliant with E20 (20% Ethanol blended) Petrol
Hybrid EV System & Technology	System Combined Max Power (kW [ps])	135 [184]
	Battery Charging	Self-Charging
	Hybrid Vehicle Type	Strong Hybrid Electric Vehicle (SHEV)
	Electric Drive (Traction) Motor Type	AC Synchronous (Permanent Magnet)
	Max Power (kW [ps] @rpm)	135 (184) @ 5 000 - 6 000
	Max Torque (Nm @ rpm)	315 @ 0 - 2 000
	Rechargeable Energy Storage System (ReESS) Type	Advanced Lithium Ion High-Voltage Battery
	Nominal Voltage (V)	262.8
Transmission	Manual	-
	Automatic	e-CVT (Electrically-coupled Continuously Variable Transmission) with Engine-Linked Clutch (Wet-type Multi-Plate)
	Automatic Drive Modes	[ECON, NORMAL, SPORT - Selectable Drive Modes] [EV Drive Mode, Hybrid Drive & Engine Drive Mode - Auto Selection]
Dimensions & Weight	Overall Length (mm)	4 567
	Overall Width (mm)	1 840
	Overall Height (mm)	1 621
	Wheelbase (mm)	2 655
	Front Track (mm)	1 591
	Rear Track (mm)	1 605
	Kerb Weight (kg)	1 569
	Max. GVW (kg)	2 050
	Fuel Tank Capacity (Litres)	57
	Seating Capacity (Persons)	5
	Steering System	Collapsible Column, Electric Power Assisted
	Turning Circle Radius (m)	5.5
Suspension System	Front	McPherson Strut with Coil Spring
	Rear	Multi-Link with Torsion beam and Coil Spring
	Anti-Roll Bar	Torsion Bar Type
	Shock Absorbers	Telescopic Hydraulic Nitrogen Gas-filled
Brake System	Front	Disc (Ventilated)
	Rear	Disc
	Parking	Electric Parking Brake System (Activating on Rear Wheels)
	Regenerative Braking	Electric Regenerative Braking System (Through Electric Servo Brake)
Tyres & Wheels	Wheel Type	18x8J Alloy
	Tyre Type & Size	Tubeless Radial 225/55 R18 98H

ZR-V e:HEV refers to ZR-V e:HEV EX

Colours, features and specifications are grade specific and subject to change without prior notice. This vehicle comes with Tyre Inflation & Repair Kit in place of a spare wheel. Please refer to the Owner's Guide / Manual for detailed step-by-step usage instructions & safety warnings before operating the kit. *As certified under Rule 115 of CMVR 1989, rounded to 2 decimal digits.

GRADE

ZR-V e:HEV

Exterior Design

Signature LED Lighting System

- Full LED Headlamps with Integrated LED DRL
- Sequential LED Front Turn Signal
- Full LED Tail Lamps
- LED High Mounted Stop Light

Commanding Front Grille with Vertical Slats

Front Bumper Air Curtains

Body Coloured Tailgate Spoiler

Rear Bumper Gun-Metallic Skid Garnish

Dual Outlet Exhaust Pipe Finisher

Sporty Diamond Cut Alloy Wheels R18

Body Coloured Front & Rear Bumpers Lower Garnish, Side Sill & Fender Garnish

Body Coloured Door Handles

Body Coloured Shark Fin Antenna

Body Coloured Door Mirrors

Integrated LED Side Turn Indicator on Door Mirrors

Interior Design and Colour, Materials, Finish

Leather Upholstery with Sporty Black Interiors & Premium Stitch Accents

Smooth Leather-Wrapped Steering Wheel

Prime-Smooth Leather Soft Pads (Instrument Panel, Door Pad, Centre Console)

Premium Tricot Roof Lining Material

Instrument Panel Metallic Garnish

Perforated Metal Air-Conditioning Outlets

Chrome Decoration Ring for Rear Reading Lamps

High-Deck Sculpted Centre Console with Electronic Button Selector

Digitally Sculpted Inside Lining (Door Lower, Trunk Side, Tailgate Lower, Rear Panel)

Interior Lighting

LED Ambient Lights on Front & Rear Door Lining Garnish

Front Footwell Ambient Light

Roof & Centre Console Tray Ambient Light

LED Front Map Lamps

Capactive-Touch Rear LED Spot Lamps

LED Luggage Room Lamp

LED Tailgate Lamps

Safety and Security

Honda SENSING (ADAS)

- Collision Mitigation Braking System (CMBS)
- Adaptive Cruise Control
- Low Speed Follow (LSF)
- Auto High-Beam
- Lane Keeping Assist System (LKAS)
- Road Departure Mitigation System
- Lead Car Departure Notification System

Driver Attention Monitor (DAM)

360° Surround-Vision Camera

(Multi-View Camera System with Guidelines)

Parking Sensors (Front & Rear)

Auto Reverse-Tilt Passenger Side Mirror

Advanced Compatibility Engineering (ACE™) Body Structure

8 Airbags System (Dual Front i-SRS, Front Seats i-Side, Side Curtain, Front Knee)

Energy Absorbing Front Pretensioner Seatbelts with Load Limiter

All 5 Seats 3 point Emergency Locking retractor (ELR) Seatbelts

All 5 Seats Head Restraints

ISOFIX compatible Rear Side Seats with Lower Anchorage & Top Tether

Agile Handling Assist (AHA)

Emergency Stop Signal (ESS)

Hill Descent Control (HDC)

Hill Start Assist (HSA)

Vehicle Stability Assist (VSA) with Electronic Stability & Traction Control

AVAS (Acoustic Vehicle Alerting System at low speed EV Mode)

All 4 Wheels Disc Brakes

Electric Parking Brake (EPB)

Automatic Brake Hold System

Anti-lock Braking System (ABS)

Electronic Brake-force Distribution (EBD)

Brake Override System

Automatic Headlight Control with Light Sensor

Frameless Auto-Dimming Inside Rear View Mirror

Smart-Clear Auto Wiper System (with Rain Sensor & Arm Integrated Washer Spray Nozzle)

Rear Wiper & Washer (Intermittent & Reverse Linked)

Rear Windshield Defogger

All Seats Seatbelt Indicator & Reminder

Vehicle Immobilizer with Security System Alarm

Infotainment & Instrumentation

22.8 cm (9 inches) Advanced Floating Touchscreen Display Audio

- Smartphone Connectivity (Android Auto™, Wireless Apple CarPlay®)
- AM/FM Digital Radio Tuner, MP3/WAV, i-Pod®/i-Phone®
- Bluetooth® for Hands Free Telephony, Audio Streaming & Remote Control support

-Vehicle Information Display (e:HEV Power Flow) & Vehicle Settings Customization

-Customisable Clock Screen Themes

Front USB-Input A-type

Front USB C-Type Charging Port

Rear USB C-Type Charging Port

Steering Mounted Illuminated Control Switches

12-Speaker Bose® Premium Surround Sound System

-Full Range Door Speakers (4)

-Tweeters (4)

-Rear Satellite Speakers (2)

-Front Centre Speaker (1)

-Sub Woofer (1)

-Bose® Centerpoint™ Surround Sound Technology

25.9 cm (10.2 inches) HD Fully Digital Colour TFT Meter with Multi-Information Display

-Audio, Phone & Meter Settings

-Digital Speedometer

-Gauge Display Customisable Layout Settings

-Own Vehicle & ADAS Information Display

-Range & Fuel Economy Information

-Fuel Gauge and Cruising Range (Distance-to-empty) Display

-Odometer & Trip Meter

-Illumination Brightness Control

-Deceleration Paddle Selector & Shift Position Indicator

Comfort & Convenience

Power Tailgate Open/Close

-Hands-Free Access (Kick-Gesture)

-Walk Away Close

8-way Power Adjustable Driver Seat (Slide, Recline, Height - Front & Rear)

-One-Touch Seat Position Memory (x2)

-Smart Key-Fob linked

4-way Power Adjustable Front Assistant Seat (Slide, Recline)

Honda Smart Key System with Keyless Remote (x2)

-One-Push Start/Stop Button

-Touch-Sensor Based Smart Keyless Access

-Electrical Tailgate Keyless Release

-Walk Away Auto Lock

-Reservation Lock

-Power Windows Keyless Remote Open/Close

Drive Mode Selector (ECON/NORMAL/SPORT)

Follow-Me-Home / Lead-Me-To-Car Headlights (Auto Off Timer)

All Door Power Windows One-Touch Auto-Open/Close Function with Pinch Guard

Auto-Folding Remote Retractable Door Mirrors (Welcome Function)

Power Adjustable & Folding Door Mirrors
Wireless Charger (Centre Console Tray)
Front Accessory Charging Port
Auto Engine Stop/Start
Electric AC Compressor & Coolant Pump with Heater
Fully Automatic Dual-Zone Climate Control with Click-Feel AC Control Dials
Rear Air Conditioning Vents
PM2.5, Aldehyde, Dust and Pollen Cabin Filter
Heat Absorbing Front & Rear Windshield Glass
IR (Infrared) Cut & Acoustic Sound Absorbing Front Windshield Glass
Power Central Door Lock w. Driver Master Switch
Telescopic & Tilt Steering Adjustment for Reach & Height
Front Seat Belts Shoulder Height Adjustable
Adaptive Cruise Control & LKAS Operation Switches on Steering Wheel
Metal Deceleration Selector Paddle Shifters (for Battery Regeneration)
One Touch Turn Signal for Lane Change Signalling
Front Centre Armrest & Storage Box
Floor Console Utility Space for Smartphones
Front Console Large Size Cupholder
Rear Centre Foldable Armrest with Cupholder
Rear Seat 60:40 Split & Fold (Full Flat)
Bottle Holders in All Doors
Assistant Seat Back Pocket
Driver & Assistant Sun-visor Vanity Mirrors with Illumination
Roof Console Sunglass Holder
Foldable Rear Parcel Shelf
Cargo Floor Tie Down Hooks & Under Floor Box Storage



www.hondacarindia.com



Terms and conditions applicable. Creative visualization applied. The Images and depictions shown in this brochure are computer generated/ enhanced for illustrative and representational purpose only. Appearance of black shade on glass of vehicle is due to lighting effect. Actual colour, feature and any other specification as shown may not be part of standard fitment and may differ from actual product. All colours, features and specifications are grade specific and subject to change without prior notice. Please check and experience the availability of variants, colours and features at the authorized dealerships. Android Auto™ and CarPlay® are registered trademarks of Google LLC. and Apple Inc. For more information, please visit our authorized dealership or www.hondacarindia.com. For corporate sales enquiry please write to corporatesales@hondacarindia.com.